

Description

The AH180N is a high sensitivity, micro power Omnipolar Hall Effect switch IC designed for portable and battery powered equipment such as cellular phones, PDA' s and portable PC' s. Based on two sensitive Hall Effect plates and a chopper stabilized architecture the AH180N provides a reliable solution over the whole operating range. To support portable and battery powered equipment the design has been optimized to operate over the supply range of 2.5V to 5.5V and consumes only 24 μ A with a supply of 3V.

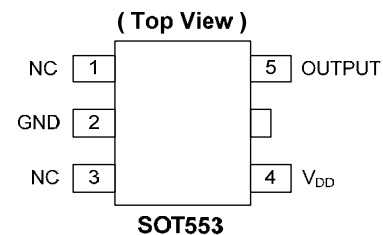
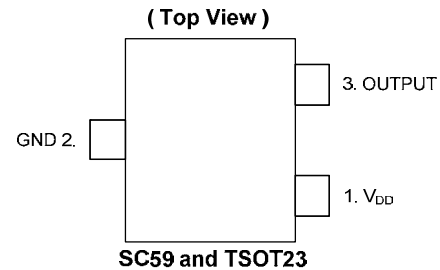
The single open drain output can switched on with either a North or South pole of sufficient strength. When the magnetic flux density (B) is larger than operate point (Bop) the output is switched on (pulled low). The output is turned off when B becomes lower than the release point (Brp). The output will remain off when there is no magnetic field.

Features

- Omnipolar (North or South pole) Operation
- High Sensitivity
- Single Open Drain Output
- Micropower Operation
- 2.5V to 5.5V Operating Range
- Chopper Stabilized Design Provides
 - Superior Temperature Stability
 - Minimal Switch Point Drift
 - Enhanced Immunity to Stress
- Good RF Noise Immunity
- -40°C to +85°C Operating Temperature
- ESD (HBM) > 6KV
- SC59 (SOT23), TSOT23, and SOT553 Low Profile Packages
- **Totally Lead-Free & Fully RoHS Compliant (Notes 1 & 2)**
- **Halogen and Antimony Free. "Green" Device (Note 3)**

Notes: 1. No purposely added lead. Fully EU Directive 2002/95/EC (RoHS) & 2011/65/EU (RoHS 2) compliant.
 2. See <http://www.diodes.com> for more information about Diodes Incorporated's definitions of Halogen- and Antimony-free, "Green" and Lead-free.
 3. Halogen- and Antimony-free "Green" products are defined as those which contain <900ppm bromine, <900ppm chlorine (<1500ppm total Br + Cl) and <1000ppm antimony compounds.

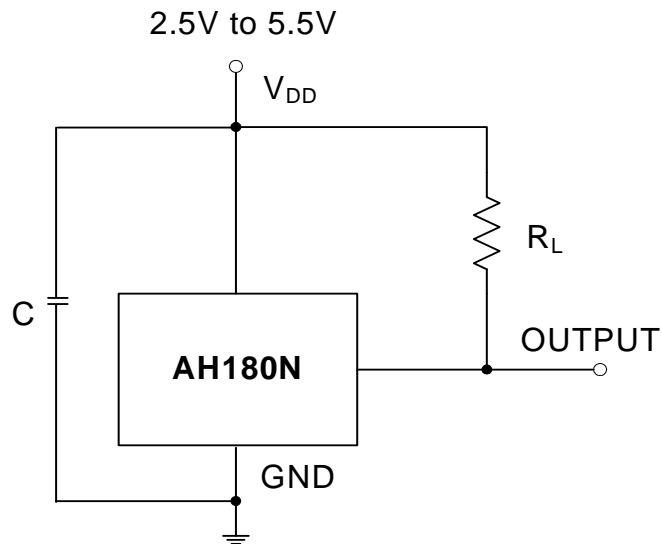
Pin Assignments



Applications

- Cover Switch in Clam-Shell or Slide Type Cellular Phones
- Display Switch for Portable PCs
- On/Off Switch for PDAs and Digital Cameras
- Contact-Less Switch in Consumer Products

Typical Applications Circuit

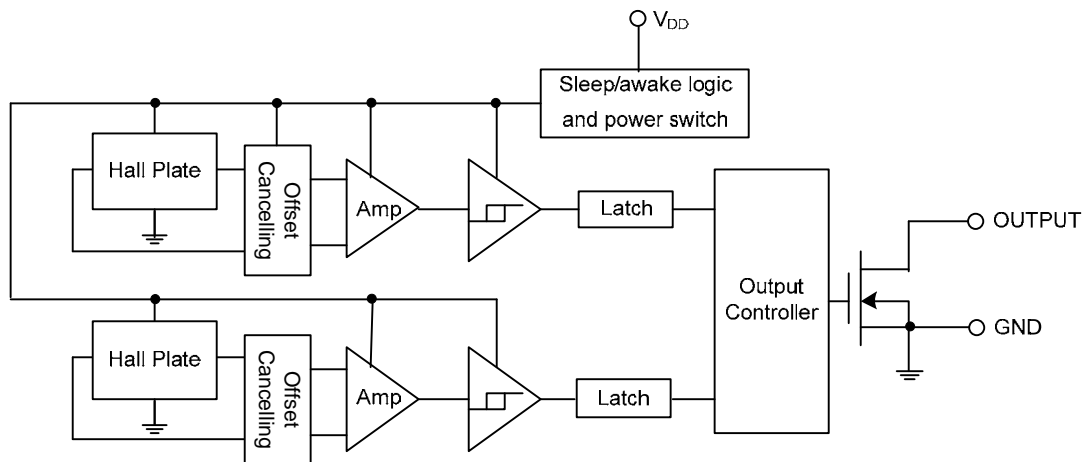


Note: C is for power stabilization and to strengthen the noise immunity, the recommended capacitance is 10nF ~ 100nF.
RL is the pull-up resistor, the recommended resistance is 10kOhm ~ 100kOhm.

Pin Descriptions

Pin Name	P/I/O	Function
V _{DD}	P/I	Power Supply Input
GND	P/I	Ground
Output	O	Output Pin

Functional Block Diagram



Absolute Maximum Ratings (Note 4) (@ $T_A = +25^\circ\text{C}$, unless otherwise specified.)

Symbol	Parameter	Ratings	Unit
V_{DD}	Supply Voltage (Note 5)	7	V
B	Magnetic Flux Density	Unlimited	
P_D	Package Power Dissipation	SC59	230
		TSOT23	230
		SOT553	230
T_s	Storage Temperature Range	-65 to +150	$^\circ\text{C}$
T_J	Maximum Junction Temperature	150	$^\circ\text{C}$

- Notes:
- Stresses greater than the 'Absolute Maximum Ratings' specified above, may cause permanent damage to the device. These are stress ratings only; functional operation of the device at these or any other conditions exceeding those indicated in this specification is not implied. Device reliability may be affected by exposure to absolute maximum rating conditions for extended periods of time
 - The absolute maximum V_{DD} of 7V is a transient stress rating and is not meant as a functional operating condition. It is not recommended to operate the device at the absolute maximum rated conditions for any period of time.

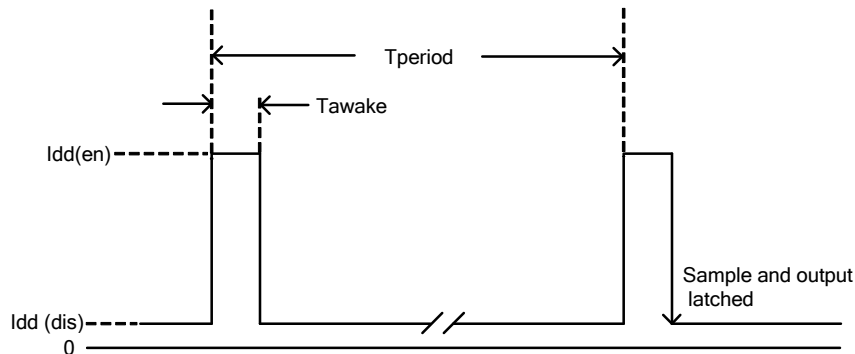
Recommended Operating Conditions (@ $T_A = +25^\circ\text{C}$, unless otherwise specified.)

Symbol	Parameter	Conditions	Rating	Unit
V_{DD}	Supply Voltage	Operating	2.5 to 5.5	V
T_A	Operating Temperature Range	Operating	-40 to +85	$^\circ\text{C}$

Electrical Characteristics (@ $T_A = +25^\circ\text{C}$, $V_{DD} = 3\text{V}$, unless otherwise specified.)

Symbol	Parameter	Conditions	Min	Typ	Max	Unit
V_{OUT}	Output On Voltage	$I_{OUT} = 1\text{mA}$	—	0.1	0.3	V
I_{off}	Output Leakage Current	$V_{OUT} = 5.5\text{V}$, Output Off	—	<0.1	1	μA
$I_{dd(en)}$	Supply Current	Chip Enable, $T_A = +25^\circ\text{C}$, $V_{DD} = 3\text{V}$	—	3	6	mA
$I_{dd(en)}$		Chip Enable, $T_A = -40$ to $+85^\circ\text{C}$, $V_{DD} = 2.5\text{V}$ to 5.5V	—	3	12	mA
$I_{dd(dis)}$		Chip Disable, $T_A = +25^\circ\text{C}$, $V_{DD} = 3\text{V}$	—	5	10	μA
$I_{dd(dis)}$		Chip Disable, $T_A = -40$ to 85°C , $V_{DD} = 2.5\text{V}$ to 5.5V	—	5	28	μA
$I_{dd(ave)}$		Average Supply Current, $T_A = +25^\circ\text{C}$, $V_{DD} = 3\text{V}$	—	8	16	μA
$I_{dd(ave)}$		Average Supply Current, $T_A = -40$ to $+85^\circ\text{C}$, $V_{DD} = 2.5\text{V}$ to 5.5V	—	8	40	μA
T_{awake}	Awake Time	(Note 6)	—	75	125	μs
T_{period}	Period	(Note 6)	—	75	125	ms
D.C.	Duty Cycle		—	0.1	—	%

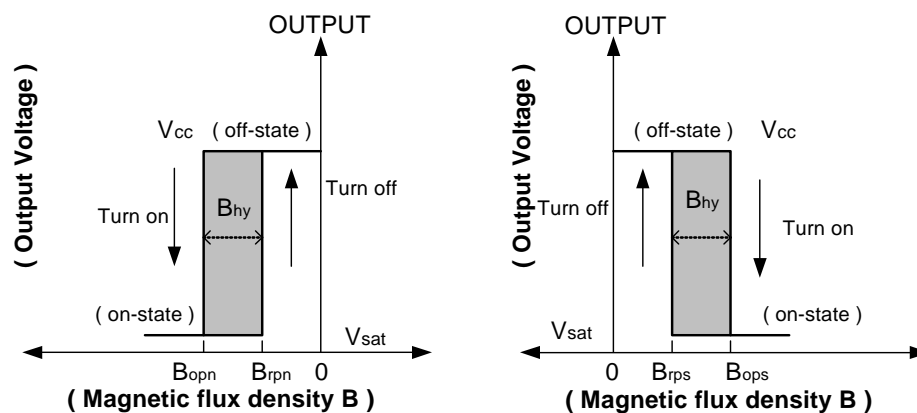
- Notes:
- When power is initially turned on, V_{DD} must be within its correct operating range (2.5V to 5.5V) to guaranteed the output sampling. The output state is valid after the second operating cycle (typical 150ms).



Magnetic Characteristics (Note 7 & 8) (@ $T_A = +25^\circ\text{C}$, $V_{DD} = 3\text{V}$, unless otherwise specified.)

Symbol	Parameter	Min	Typ	Max	Unit
Bops(south pole to brand side)	Operation Point	—	35	50	Gauss
Bopn(north pole to brand side)		-50	-35	—	
Brps(south pole to brand side)	Release Point	10	25	—	
Brpn(north pole to brand side)		—	-25	-10	
Bhy(Bopx - Brpx)	Hysteresis	—	10	—	

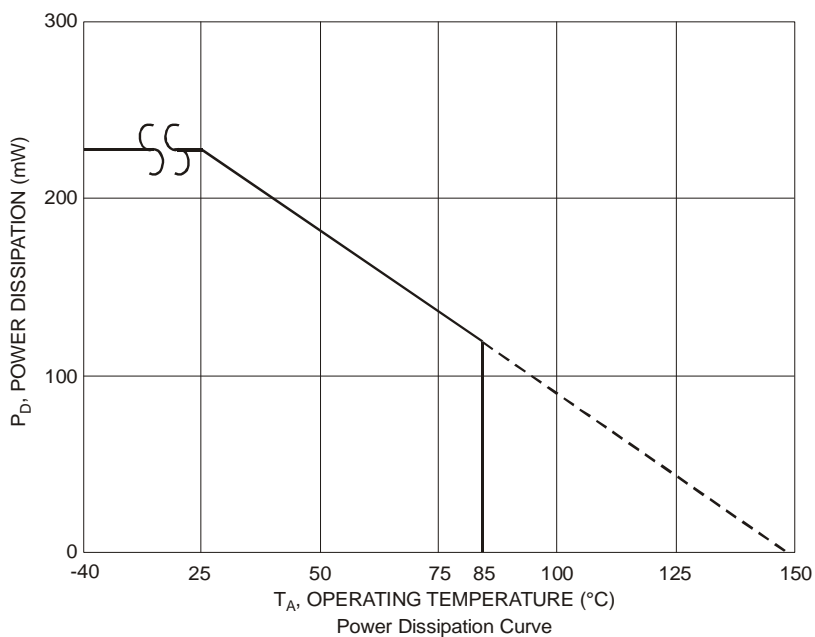
Notes: 7. Typical data is at $T_A = +25^\circ\text{C}$, $V_{DD} = 3\text{V}$, and for design information only.
8. The magnetic characteristics may vary with supply voltage, operating temperature and after soldering.



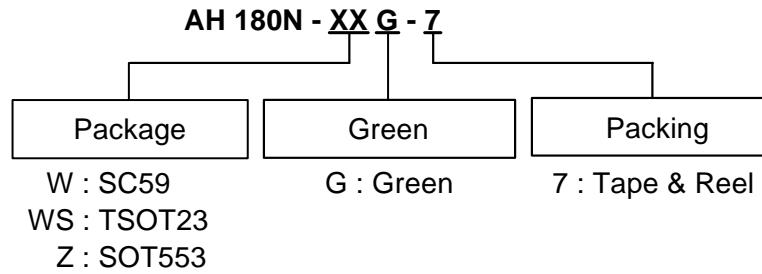
Performance Characteristics

(1) SC59 (commonly known as SOT23 in Asia), TSOT23, and SOT553

T_A ($^\circ\text{C}$)	25	50	60	70	80	85	90	100	110	120	130	140	150
P_D (mW)	230	184	166	147	129	120	110	92	74	55	37	18	0



Ordering Information

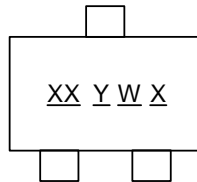


Device	Package Code	Packaging	7" Tape and Reel	
			Quantity	Part Number Suffix
AH180N-WG-7	W	SC59	3000/Tape & Reel	-7
AH180N-WSG-7	WS	TSOT23	3000/Tape & Reel	-7
AH180N-ZG-7	Z	SOT553	3000/Tape & Reel	-7

Marking Information

(1) SC59 (commonly known as SOT23 in Asia) and TSOT23

(Top View)

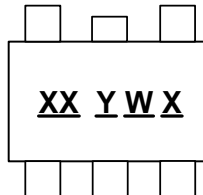


XX : Identification code
Y : Year 0 to 9
W : Week : A to Z : 1 to 26 week;
a to z : 27 to 52 week; z represents 52 and 53 week
X : A to Z : Green

Part Number	Package	Identification Code
AH180N	SC59	K9
AH180N	TSOT23	N9

(2) SOT553

(Top View)



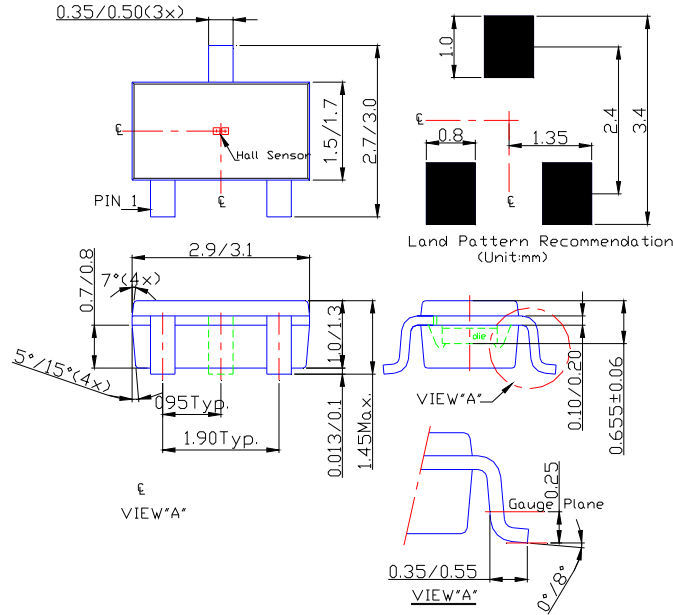
XX : Identification Code
Y : Year : 0 to 9
W : Week : A to Z : 1~26 week;
a to z : 27~52 week; z represents 52 and 53 week
X : A to Z : Green

Part Number	Package	Identification Code
AH180N	SOT553	K9

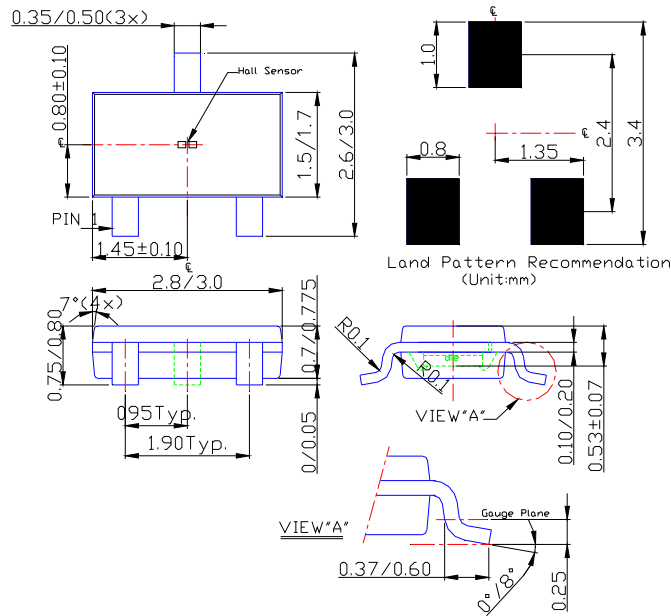
Package Outline Dimensions (All dimensions in mm.)

Please see AP02002 at <http://www.diodes.com/datasheets/ap02002.pdf> for latest version.

(1) Package Type: SC59

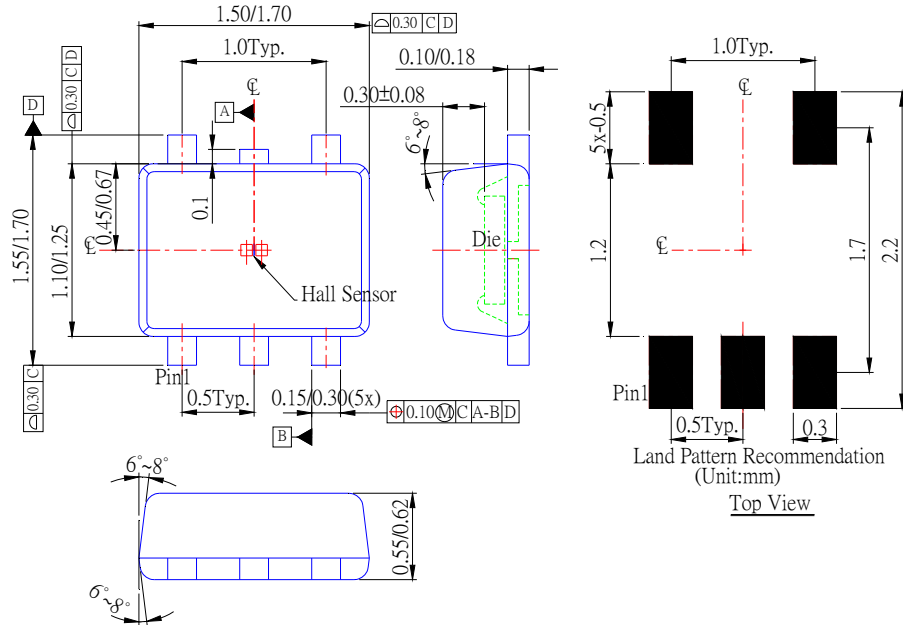


(2) Package Type: TSOT23



Package Outline Dimensions (Continued) (All dimensions in mm.)

(3) Package Type: SOT553



IMPORTANT NOTICE

DIODES INCORPORATED MAKES NO WARRANTY OF ANY KIND, EXPRESS OR IMPLIED, WITH REGARDS TO THIS DOCUMENT, INCLUDING, BUT NOT LIMITED TO, THE IMPLIED WARRANTIES OF MERCHANTABILITY AND FITNESS FOR A PARTICULAR PURPOSE (AND THEIR EQUIVALENTS UNDER THE LAWS OF ANY JURISDICTION).

Diodes Incorporated and its subsidiaries reserve the right to make modifications, enhancements, improvements, corrections or other changes without further notice to this document and any product described herein. Diodes Incorporated does not assume any liability arising out of the application or use of this document or any product described herein; neither does Diodes Incorporated convey any license under its patent or trademark rights, nor the rights of others. Any Customer or user of this document or products described herein in such applications shall assume all risks of such use and will agree to hold Diodes Incorporated and all the companies whose products are represented on Diodes Incorporated website, harmless against all damages.

Diodes Incorporated does not warrant or accept any liability whatsoever in respect of any products purchased through unauthorized sales channel. Should Customers purchase or use Diodes Incorporated products for any unintended or unauthorized application, Customers shall indemnify and hold Diodes Incorporated and its representatives harmless against all claims, damages, expenses, and attorney fees arising out of, directly or indirectly, any claim of personal injury or death associated with such unintended or unauthorized application.

Products described herein may be covered by one or more United States, international or foreign patents pending. Product names and markings noted herein may also be covered by one or more United States, international or foreign trademarks.

LIFE SUPPORT

Diodes Incorporated products are specifically not authorized for use as critical components in life support devices or systems without the express written approval of the Chief Executive Officer of Diodes Incorporated. As used herein:

A. Life support devices or systems are devices or systems which:

1. are intended to implant into the body, or
2. support or sustain life and whose failure to perform when properly used in accordance with instructions for use provided in the labeling can be reasonably expected to result in significant injury to the user.

B. A critical component is any component in a life support device or system whose failure to perform can be reasonably expected to cause the failure of the life support device or to affect its safety or effectiveness.

Customers represent that they have all necessary expertise in the safety and regulatory ramifications of their life support devices or systems, and acknowledge and agree that they are solely responsible for all legal, regulatory and safety-related requirements concerning their products and any use of Diodes Incorporated products in such safety-critical, life support devices or systems, notwithstanding any devices- or systems-related information or support that may be provided by Diodes Incorporated. Further, Customers must fully indemnify Diodes Incorporated and its representatives against any damages arising out of the use of Diodes Incorporated products in such safety-critical, life support devices or systems.

Copyright © 2012, Diodes Incorporated

www.diodes.com